

AURORALIGHT

PROJECT: _____

SKU #: _____

TYPE: _____

VERTEX

STW530105

The Vertex is a low-energy recessed mount LED step light that offers excellent low-level illumination. Designed to fit any standard single-gang junction box.

- Cree LED™ XLAMP® (XP-L)
- Thermally Integrated® w/ Copper Core Technology®
- Solid brass construction
- Ideal for stairs, pathways and architecture



CONFIGURATOR:

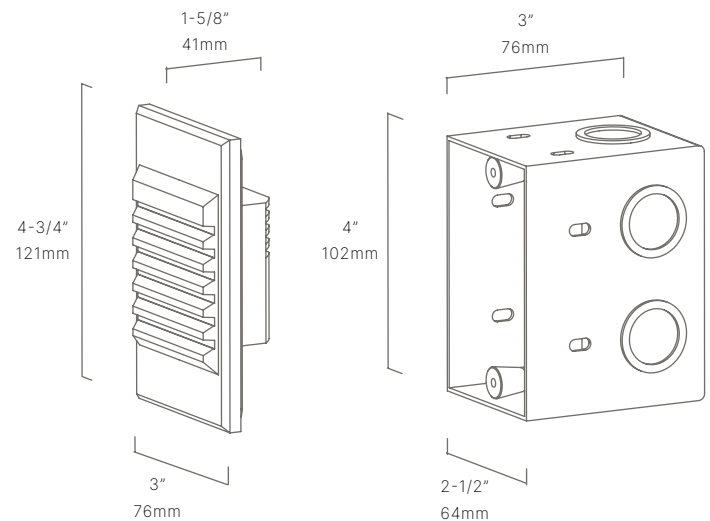
STW530105	LED	FINISH
() = Most common configuration	(2704) 2700K 4W (3004) 3000K 4W	(NAT) Natural Brass (BLP) Bronze Living Patina (BLPX) Extra Dark BLP (NI) Nickel PVD

AVAILABLE FINISHES:

NAT Natural Brass	BLP Bronze Living Patina	BLPX Extra Dark Bronze Living Patina	NI Nickel PVD

FIXTURE DIMENSIONS	W3" x L4-3/4"
LIGHT SOURCE	Integrated LED
COLOR TEMPERATURES	2700K, 3000K
WATTAGES	4W
CRI (RA)	80 CRI
VOLTAGE	12V
DELIVERED LUMENS	50lm (3000K)
DIMMABLE	Yes, Dim to <10% via Transformer
DRIVER	Yes, 12V Integral Constant Current
TRANSFORMER	No, 12V AC/DC Transformer Required
MOUNT	Included Steel Single-Gang J-Box
FINISH	Included Natural Brass
MATERIAL	Brass
WIRE LENGTH	24"
LOCATION	Exterior Wet
CERTIFICATIONS	UL, IP66, IP67, Dark Sky

*For complete warranty terms, please visit: www.auroralight.com/warranty/



P. 760.931.2910

O. 2742 Loker Ave. W Carlsbad CA 92010

W. www.auroralight.com

MADE IN USA
WITH DOMESTIC & IMPORTED MATERIALS



AUORALIGHT

PROJECT:

SKU #:

TYPE:

P. 760.931.2910

O. 2742 Loker Ave. W Carlsbad CA 92010

W. www.auroralight.com

MADE IN USA
WITH DOMESTIC & IMPORTED MATERIALS

